

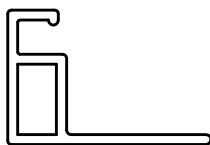


RELIABLE ARCHITECTURAL METALS COMPANY

9751 ERWIN STREET  
DETROIT, MI 48213  
PH: 800.445.0263 FAX: 313.924.8877

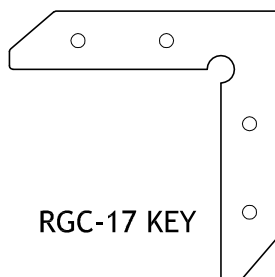
# SCREEN PARTS

SCREEN FRAME



RGC-17

CORNER KEY



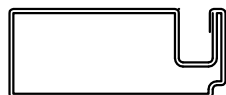
RGC-17 KEY

RETAINING CLIP FOR RGC-17



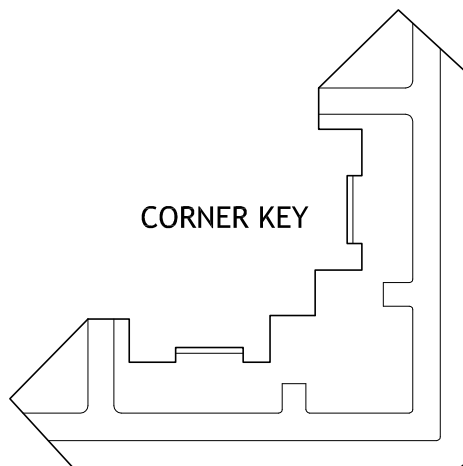
B-238

CASEMENT SCREEN FRAME



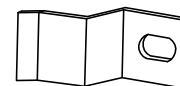
WSF-17

CORNER KEY

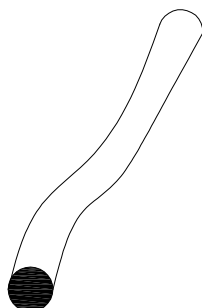


WSF-17 KEY

RETAINING CLIP FOR WSF-17



B-189



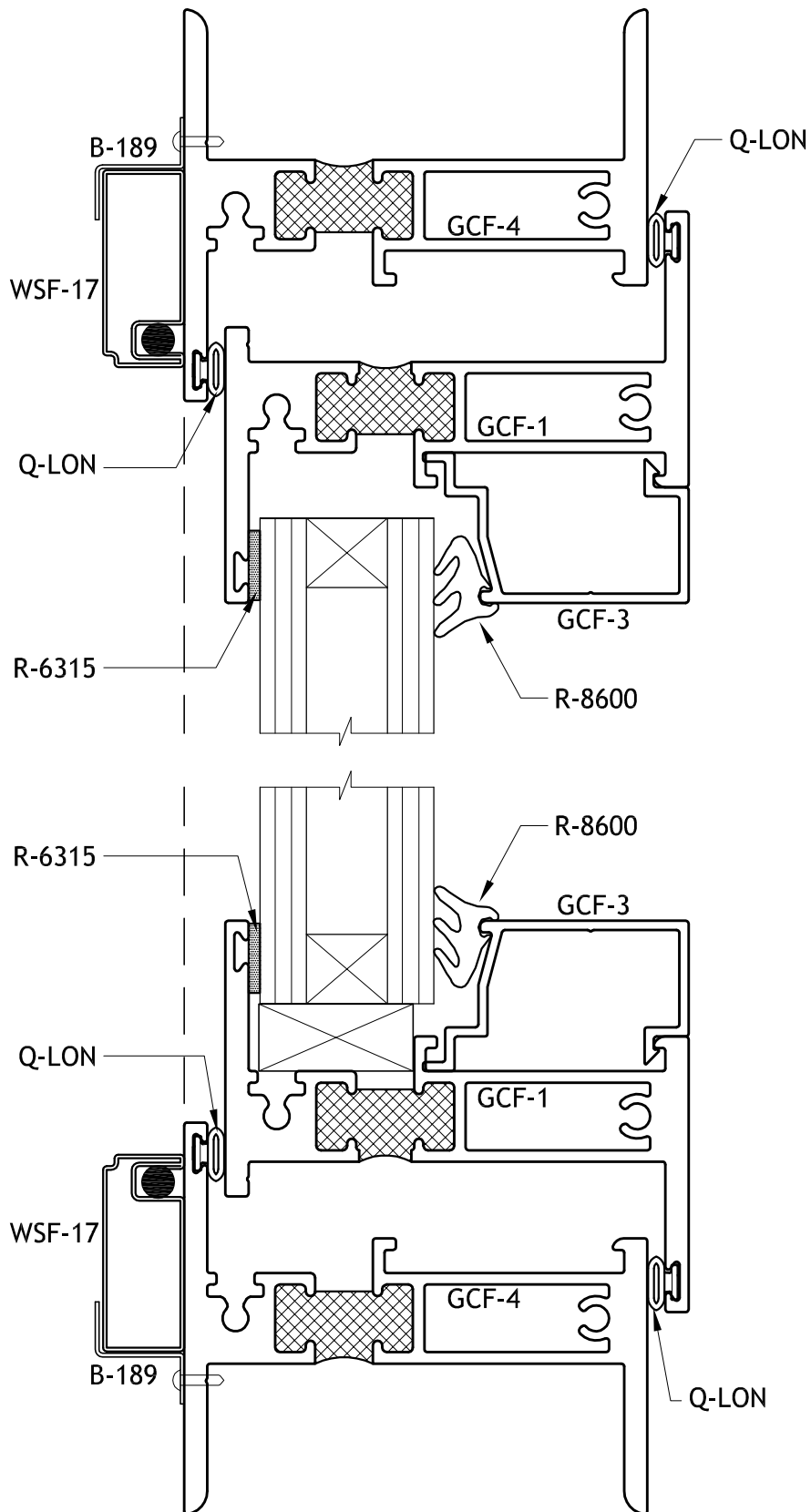
0.220 BLACK SERRATED SPLINE



# SCREEN DETAILS

RELIABLE ARCHITECTURAL METALS COMPANY

9751 ERWIN STREET  
DETROIT, MI 48213  
PH: 800.445.0263 FAX: 313.924.8877

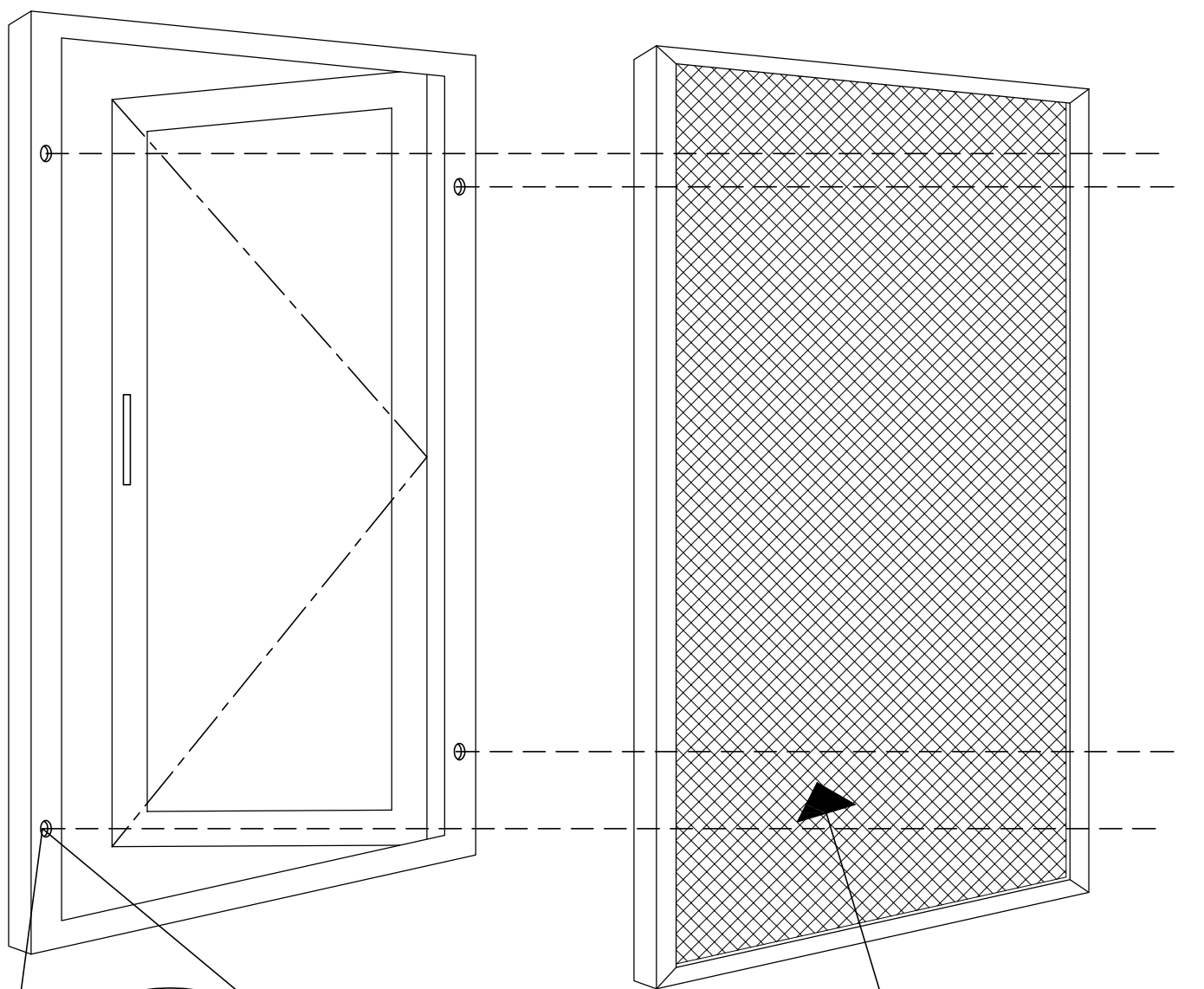




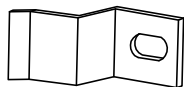
RELIABLE ARCHITECTURAL METALS COMPANY

9751 ERWIN STREET  
DETROIT, MI 48213  
PH: 800.445.0263 FAX: 313.924.8877

# SCREEN DETAILS



RETAINING CLIP



B-189

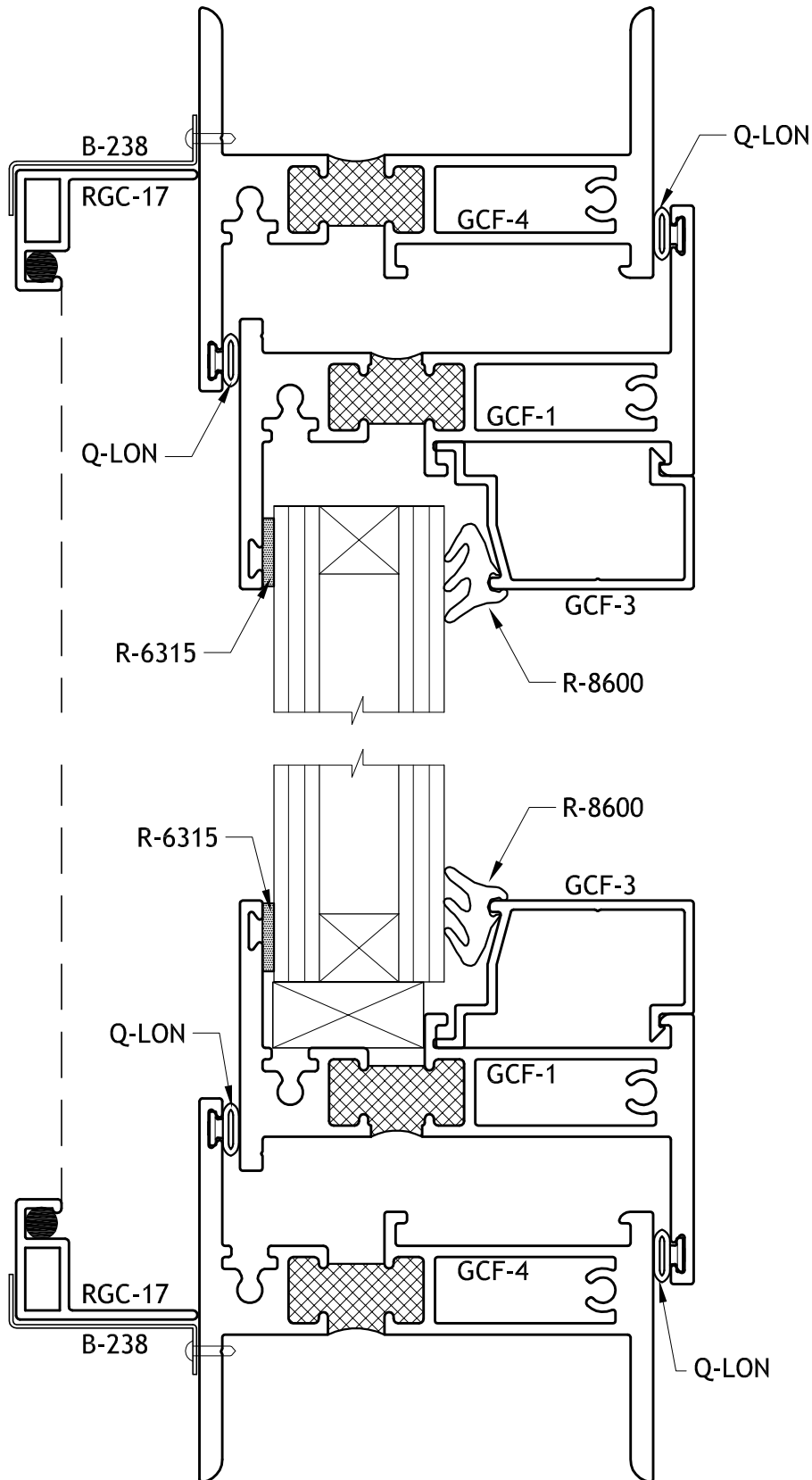
CHARCOAL ALUMINUM SCREEN



# SCREEN DETAILS

RELIABLE ARCHITECTURAL METALS COMPANY

9751 ERWIN STREET  
DETROIT, MI 48213  
PH: 800.445.0263 FAX: 313.924.8877

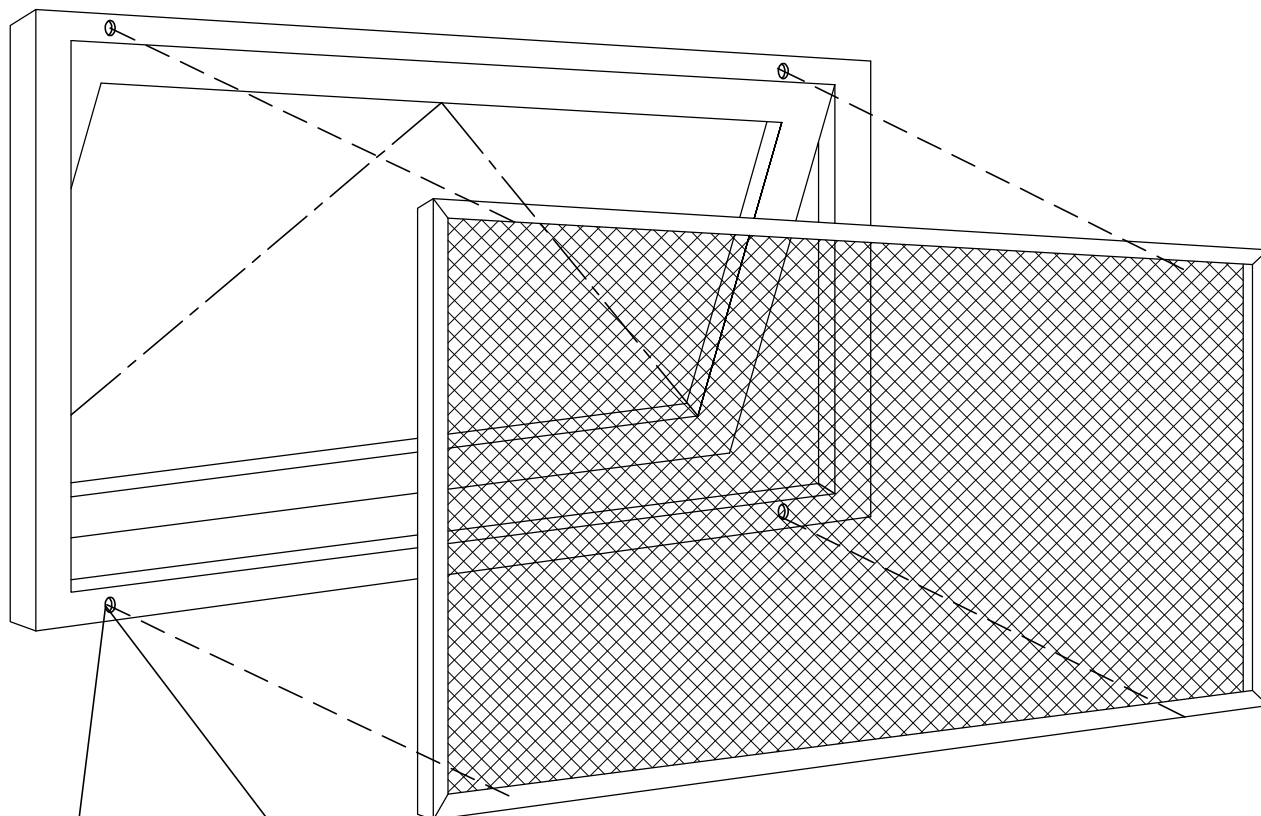




# SCREEN DETAILS

RELIABLE ARCHITECTURAL METALS COMPANY

9751 ERWIN STREET  
DETROIT, MI 48213  
PH: 800.445.0263 FAX: 313.924.8877



RETAINING CLIP



B-238