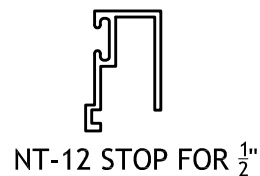
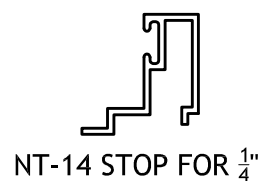
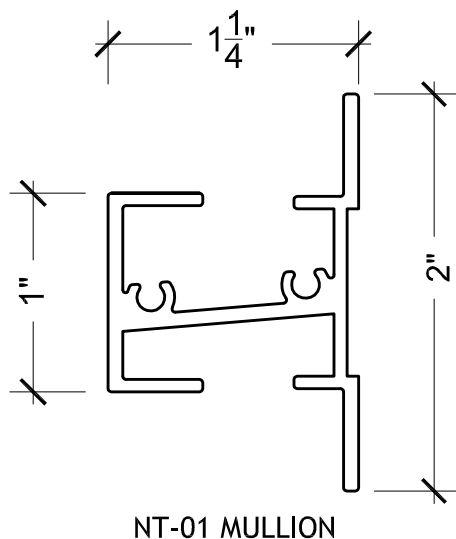
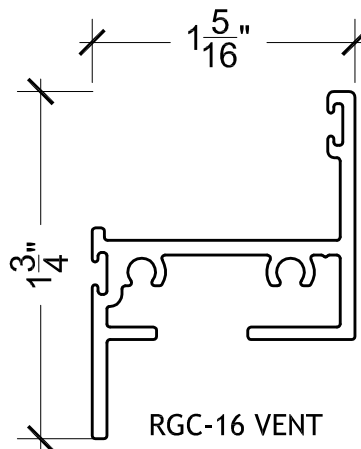
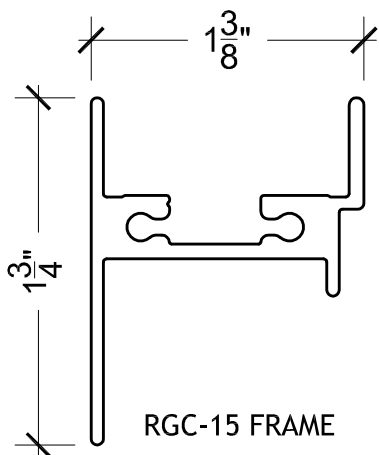




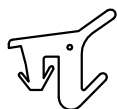
RELIABLE ARCHITECTURAL METALS COMPANY

9751 ERWIN STREET  
 DETROIT, MI 48213  
 PH: 800.445.0263 FAX: 313.924.8877

# 1 1/2" NT-1500 WINDOW PARTS ( 1/4" & 1/2" GLAZING)



A-467 BULB VINYL



TR-5114 VINYL



1/8" X 3/8" BUTYL TAPE  
 R-6317



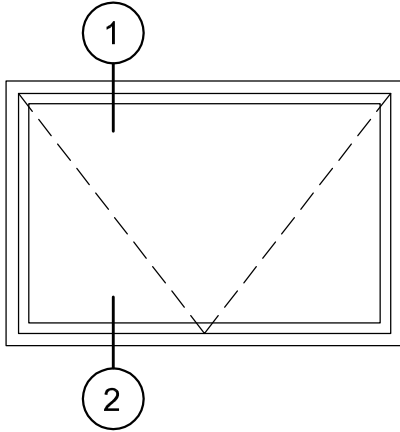
Q-LON



RELIABLE ARCHITECTURAL METALS COMPANY

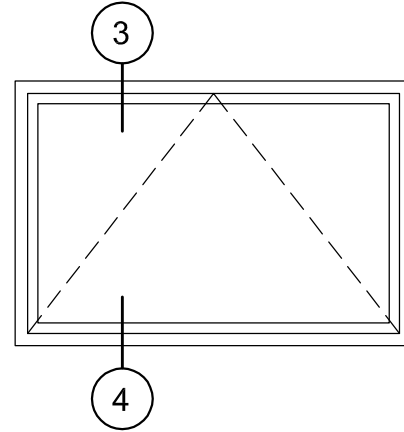
9751 ERWIN STREET  
DETROIT, MI 48213  
PH: 800.445.0263 FAX: 313.924.8877

# 1 1/2" NT-1500 ELEVATIONS ( 1/4" & 1/2" GLAZING)



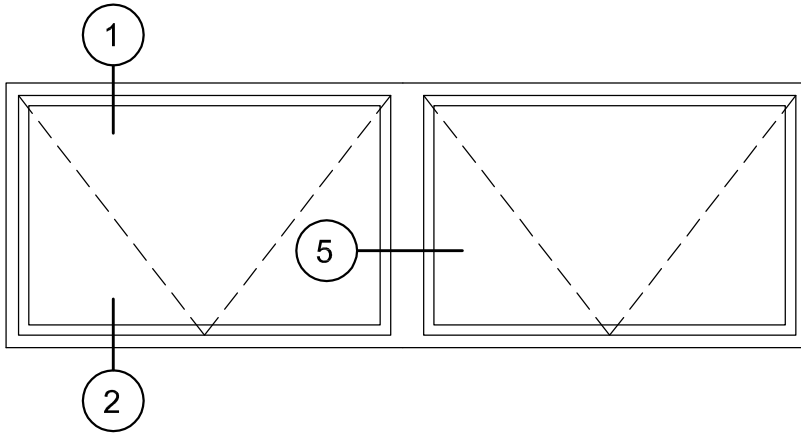
## HOPPER

PROJECT IN  
CAM HANDLE AT TOP / HINGE AT BOTTOM



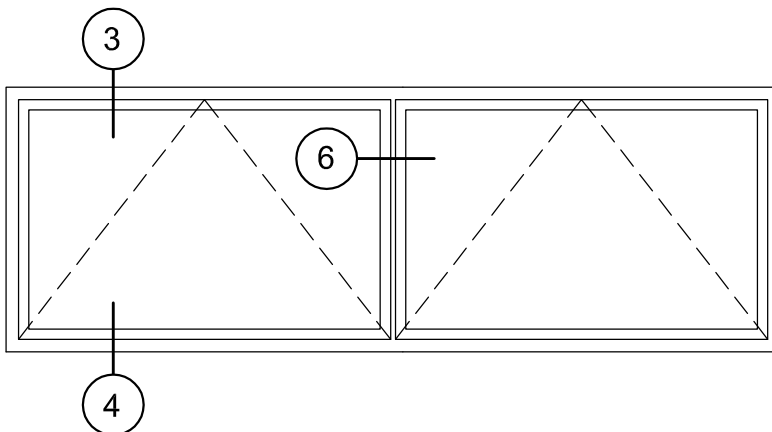
## AWNING

PROJECT OUT  
CAM HANDLE AT BOTTOM / HINGE AT TOP



## DOUBLE HOPPER

PROJECT IN  
CAM HANDLE AT TOP / HINGE AT BOTTOM



## DOUBLE AWNING

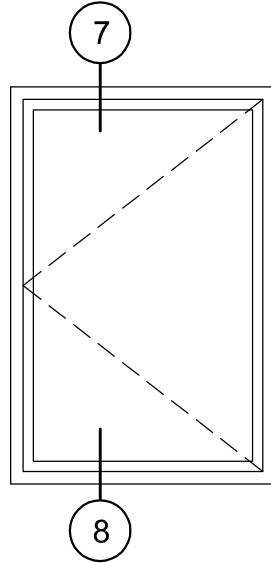
PROJECT OUT  
CAM HANDLE AT BOTTOM / HINGE AT TOP



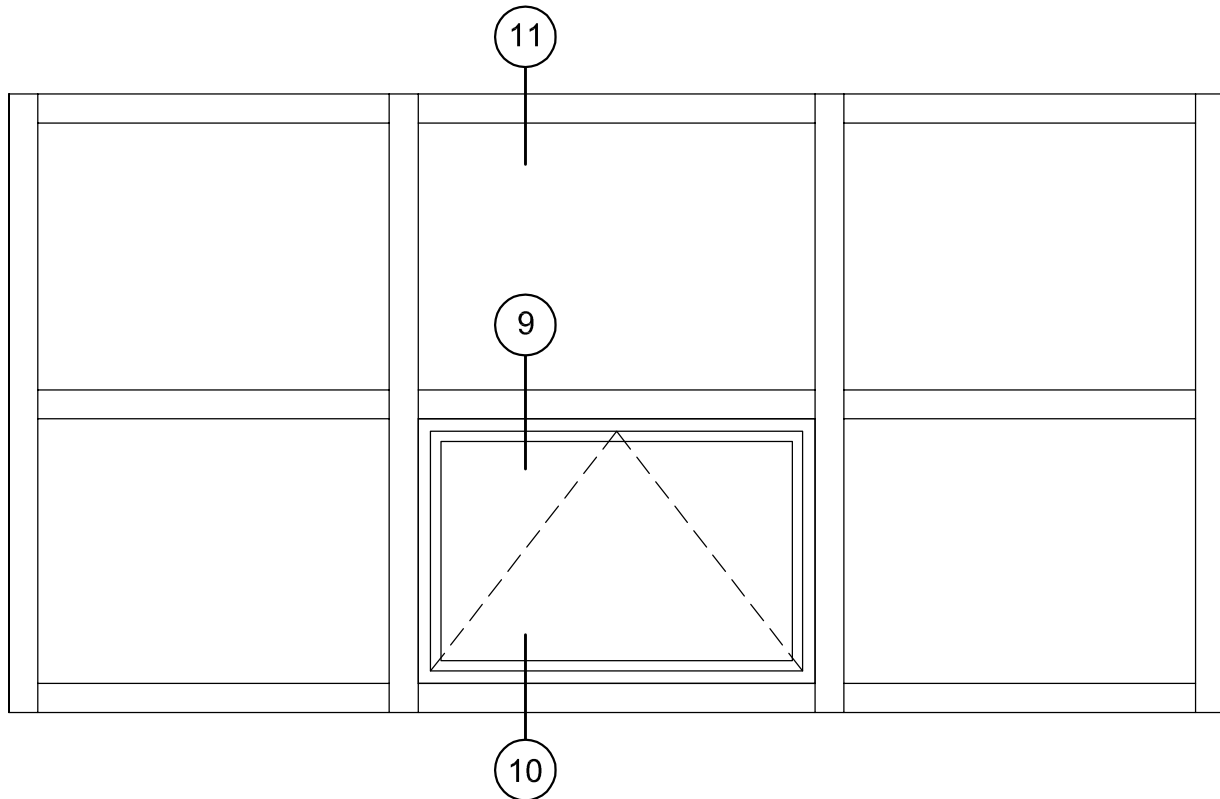
RELIABLE ARCHITECTURAL METALS COMPANY

9751 ERWIN STREET  
DETROIT, MI 48213  
PH: 800.445.0263 FAX: 313.924.8877

# 1 1/2" NT-1500 ELEVATIONS ( 1/4" & 1/2" GLAZING)



DISPLAY CASE UNIT  
W / PIANO HINGE ONLY



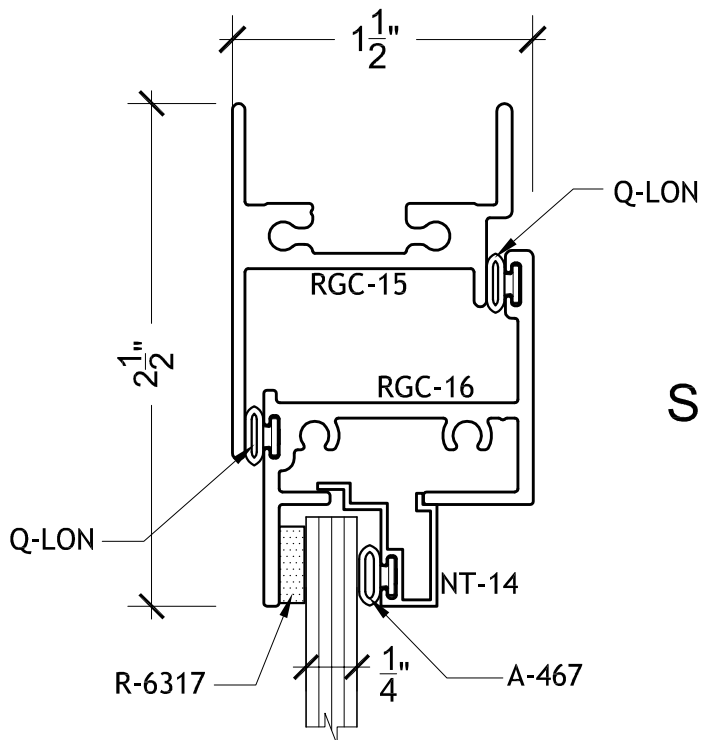
INSERT AWNING VENT WITH 1 3/4" X 4 1/2" SERIES 9000 FLUSH GLAZE



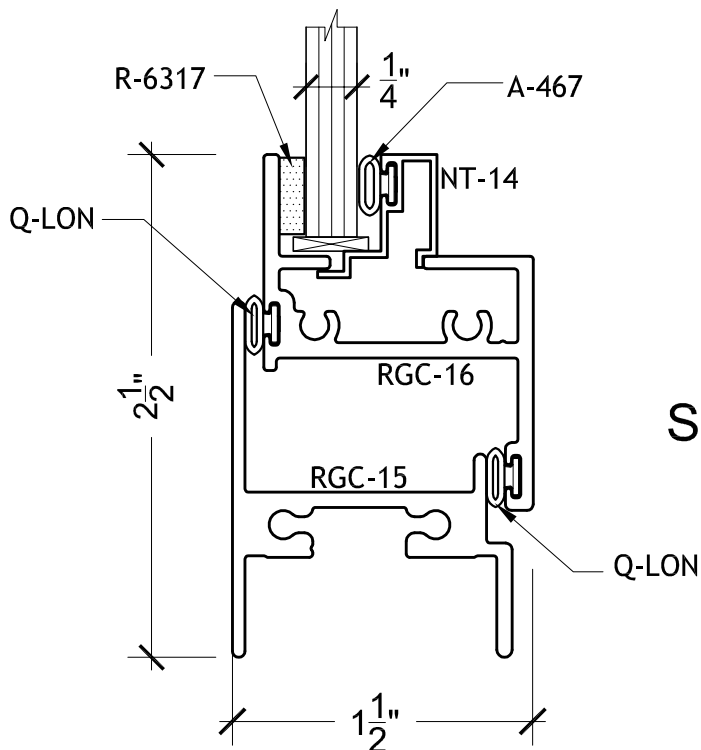
RELIABLE ARCHITECTURAL METALS COMPANY

9751 ERWIN STREET  
DETROIT, MI 48213  
PH: 800.445.0263 FAX: 313.924.8877

# 1 1/2" NT-1500 WINDOW DETAILS ( 1/4" & 1/2" GLAZING)



SECTION **1**



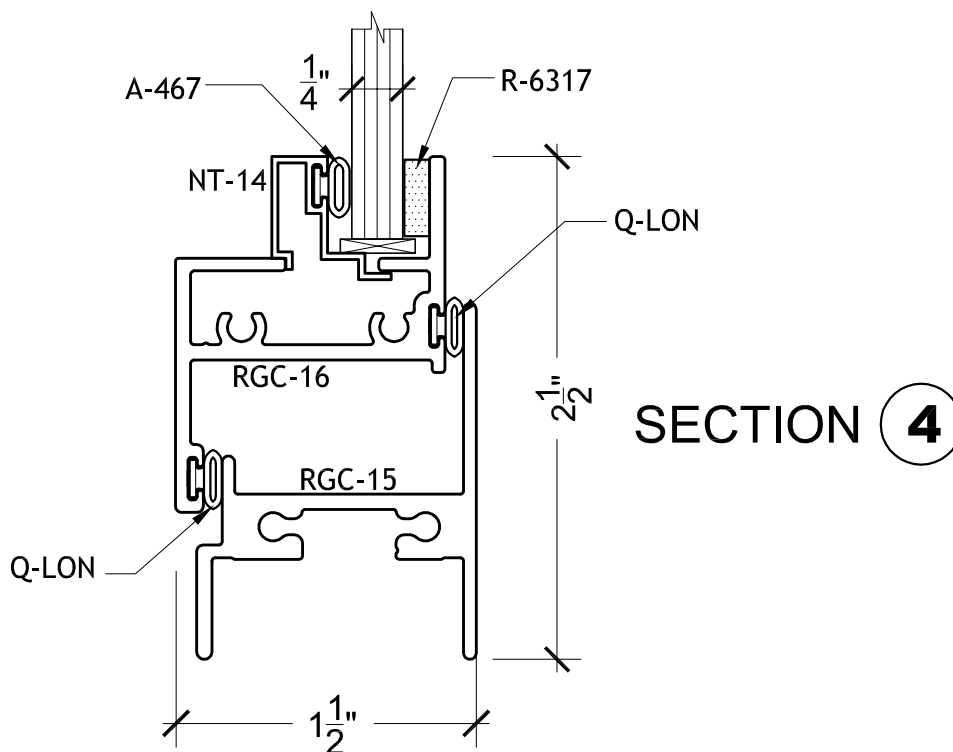
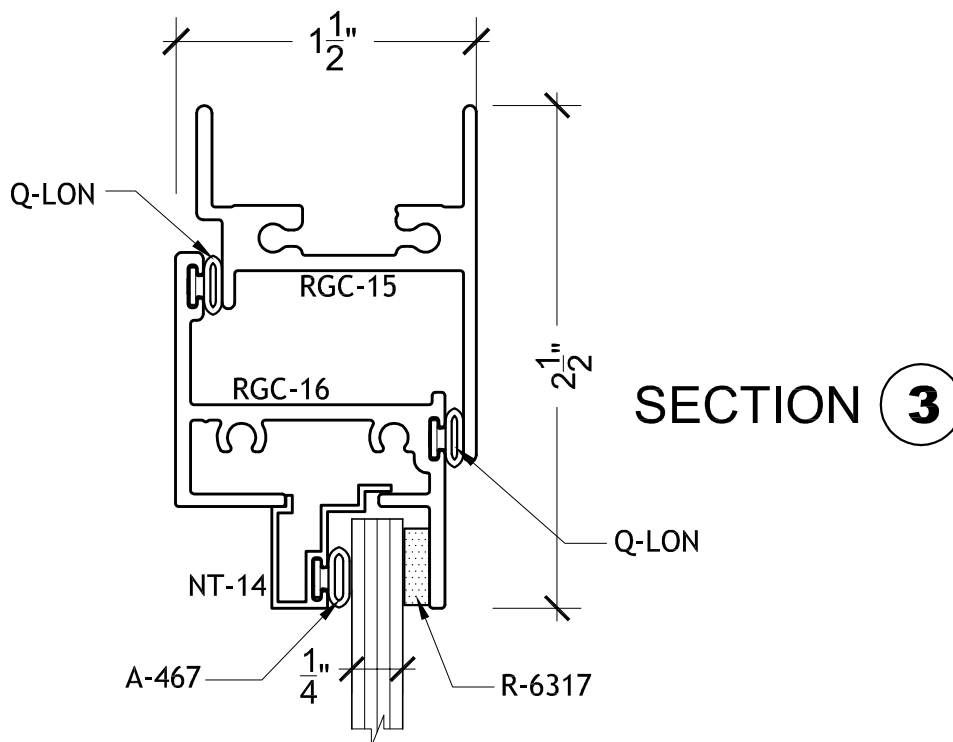
SECTION **2**



RELIABLE ARCHITECTURAL METALS COMPANY

9751 ERWIN STREET  
DETROIT, MI 48213

# 1 1/2" NT-1500 WINDOW DETAILS ( 1/4" & 1/2" GLAZING)

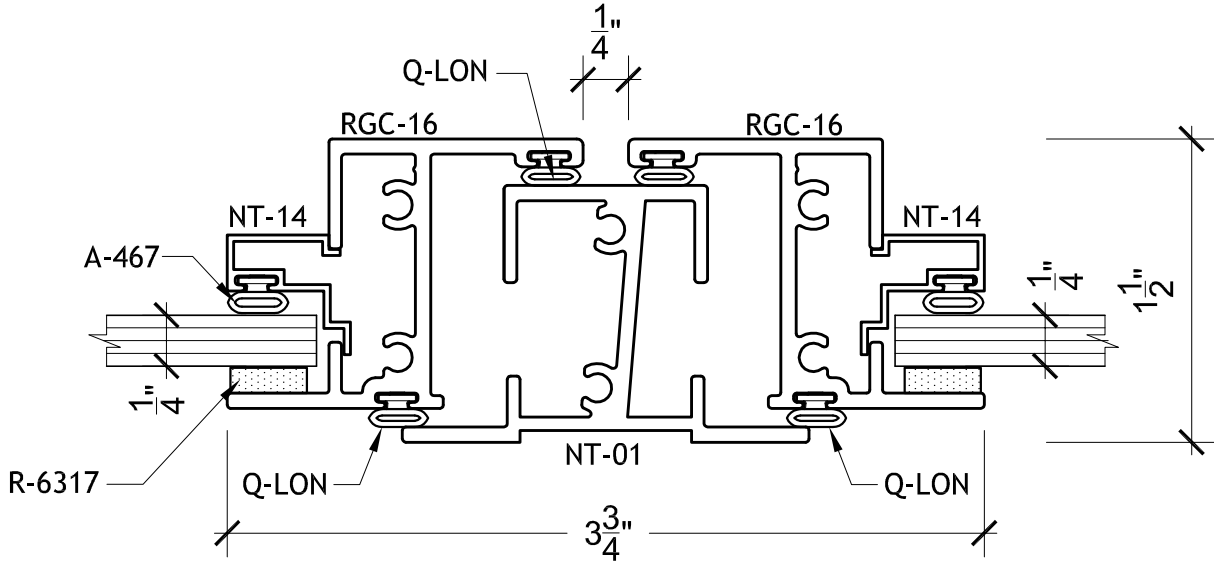




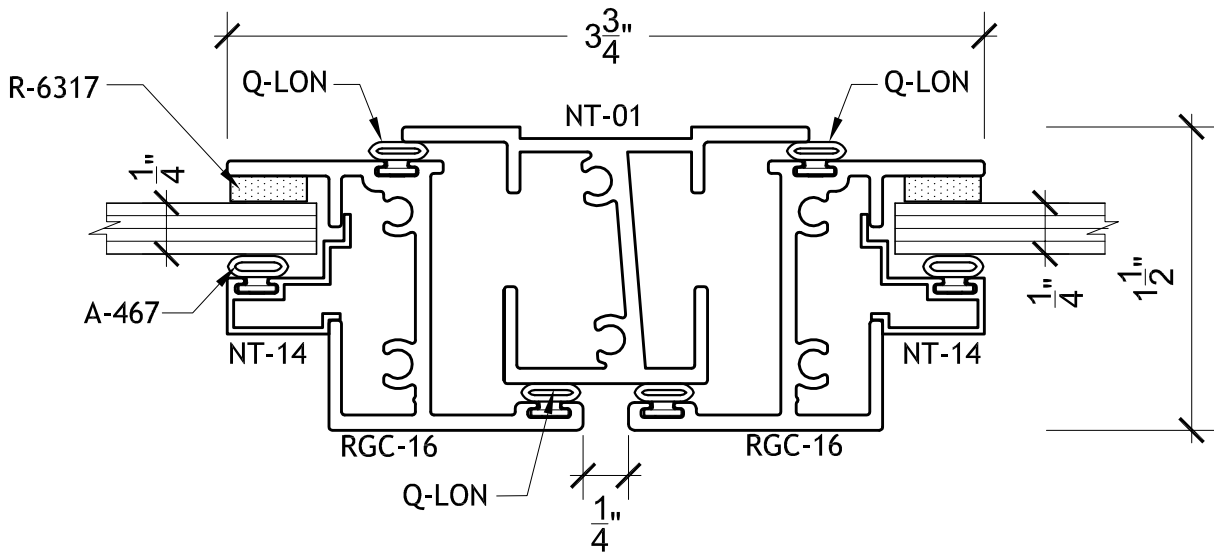
RELIABLE ARCHITECTURAL METALS COMPANY

9751 ERWIN STREET  
DETROIT, MI 48213

# 1 1/2" NT-1500 WINDOW DETAILS ( 1/4" & 1/2" GLAZING)



SECTION 5



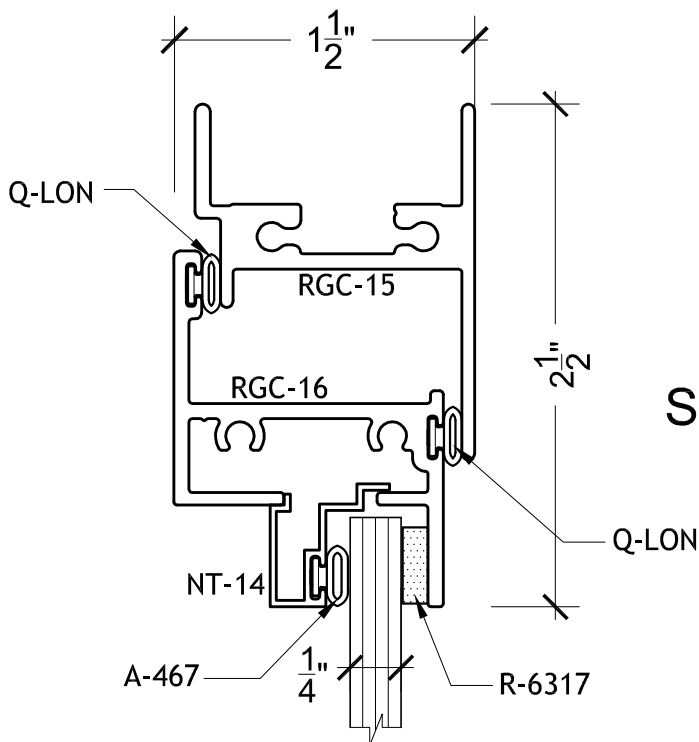
SECTION 6



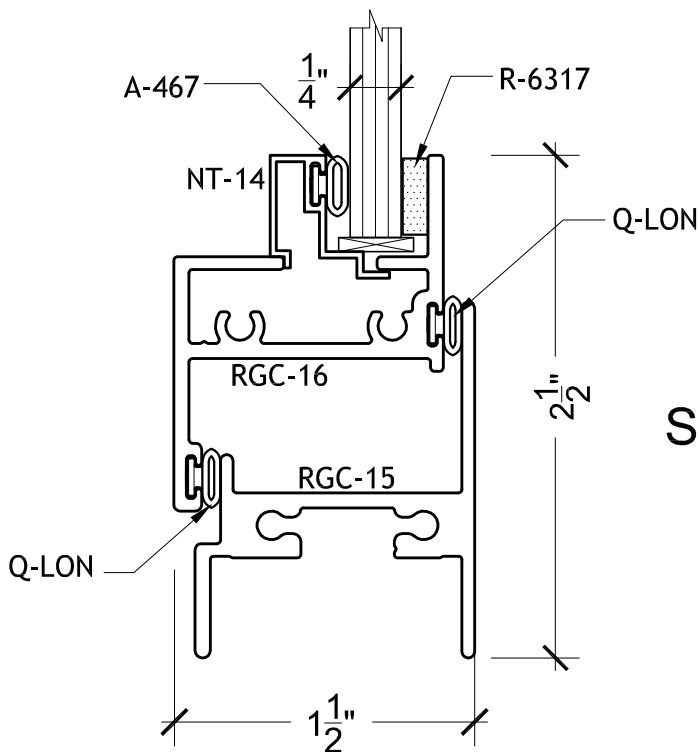
RELIABLE ARCHITECTURAL METALS COMPANY

9751 ERWIN STREET  
DETROIT, MI 48213

# 1 1/2" NT-1500 WINDOW DETAILS ( 1/4" & 1/2" GLAZING)



SECTION 7



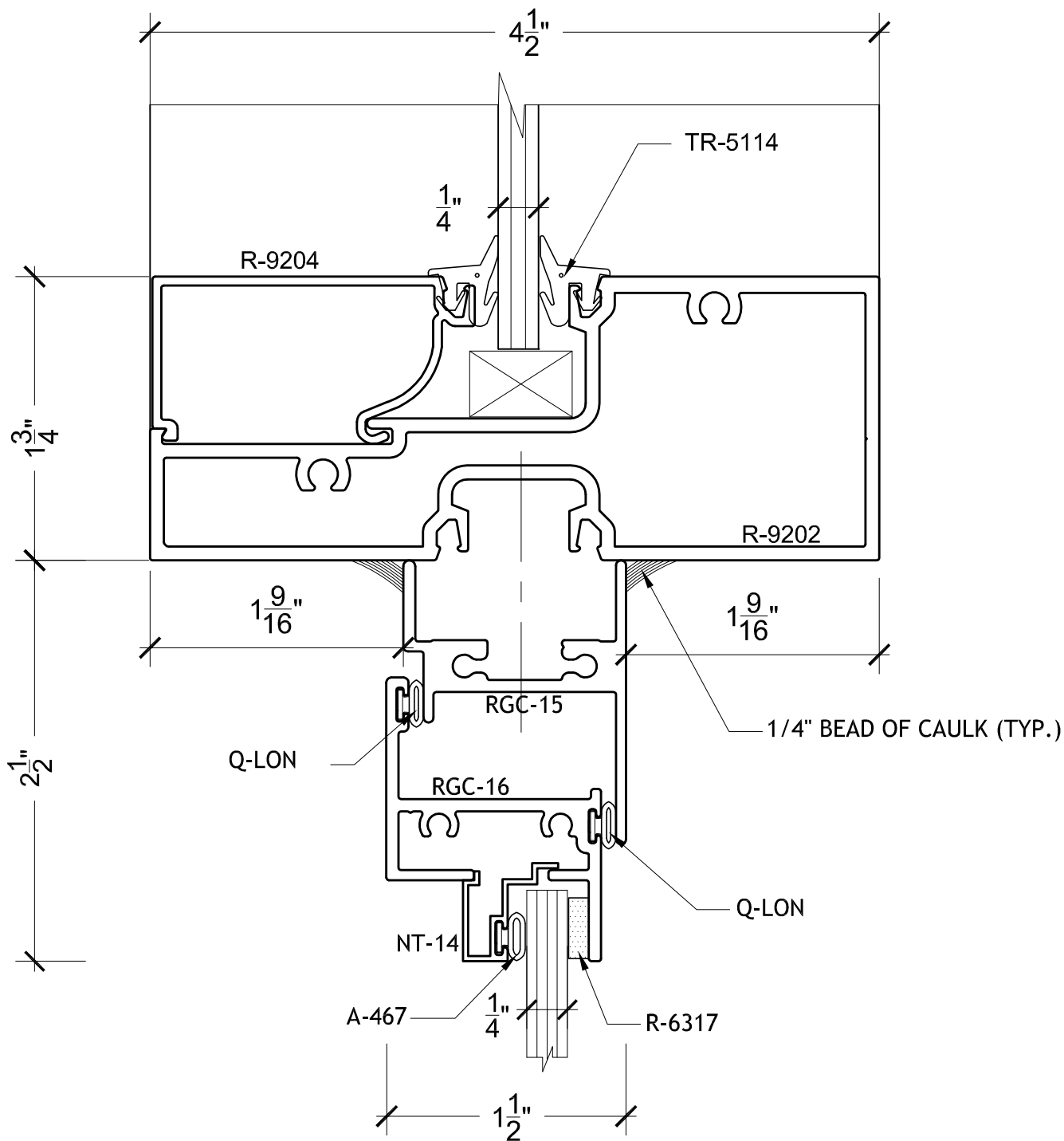
SECTION 8



RELIABLE ARCHITECTURAL METALS COMPANY

9751 ERWIN STREET  
DETROIT, MI 48213

# 1 1/2" NT-1500 WINDOW DETAILS ( 1/4" & 1/2" GLAZING)



## SECTION 9

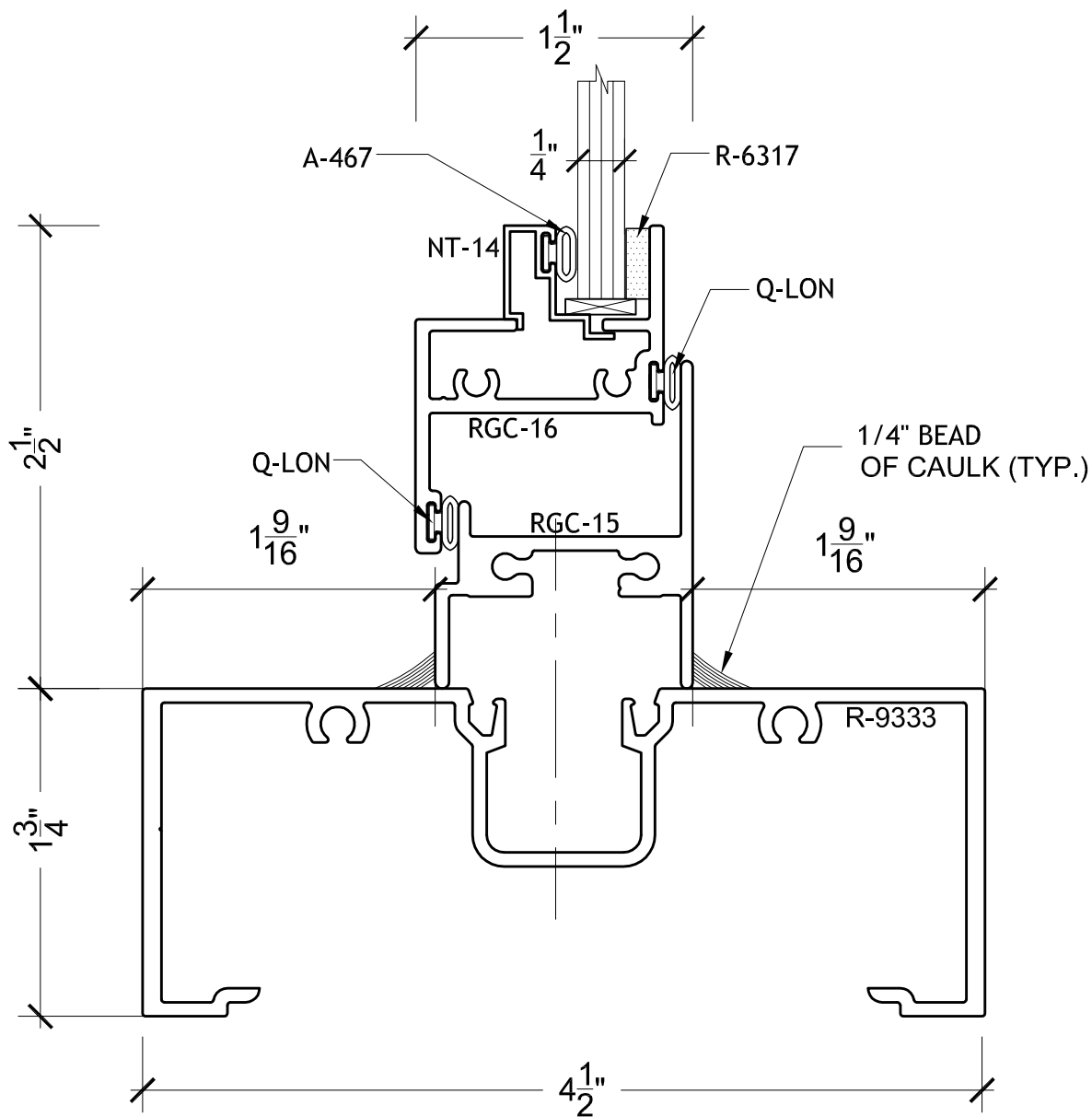




RELIABLE ARCHITECTURAL METALS COMPANY

9751 ERWIN STREET  
DETROIT, MI 48213

# 1 1/2" NT-1500 WINDOW DETAILS ( 1/4" & 1/2" GLAZING)



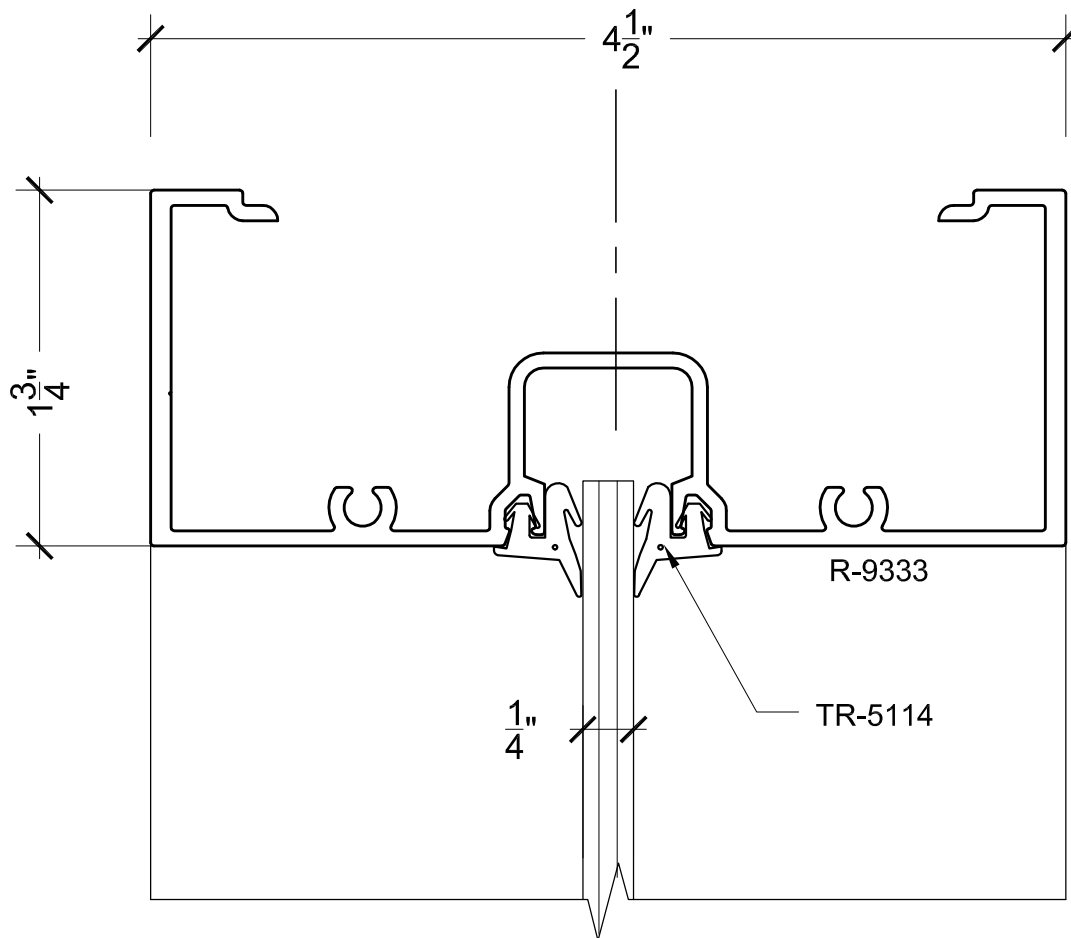
## SECTION 10



RELIABLE ARCHITECTURAL METALS COMPANY

9751 ERWIN STREET  
DETROIT, MI 48213

# 1 1/2" NT-1500 WINDOW DETAILS ( 1/4" & 1/2" GLAZING)



## SECTION 11