



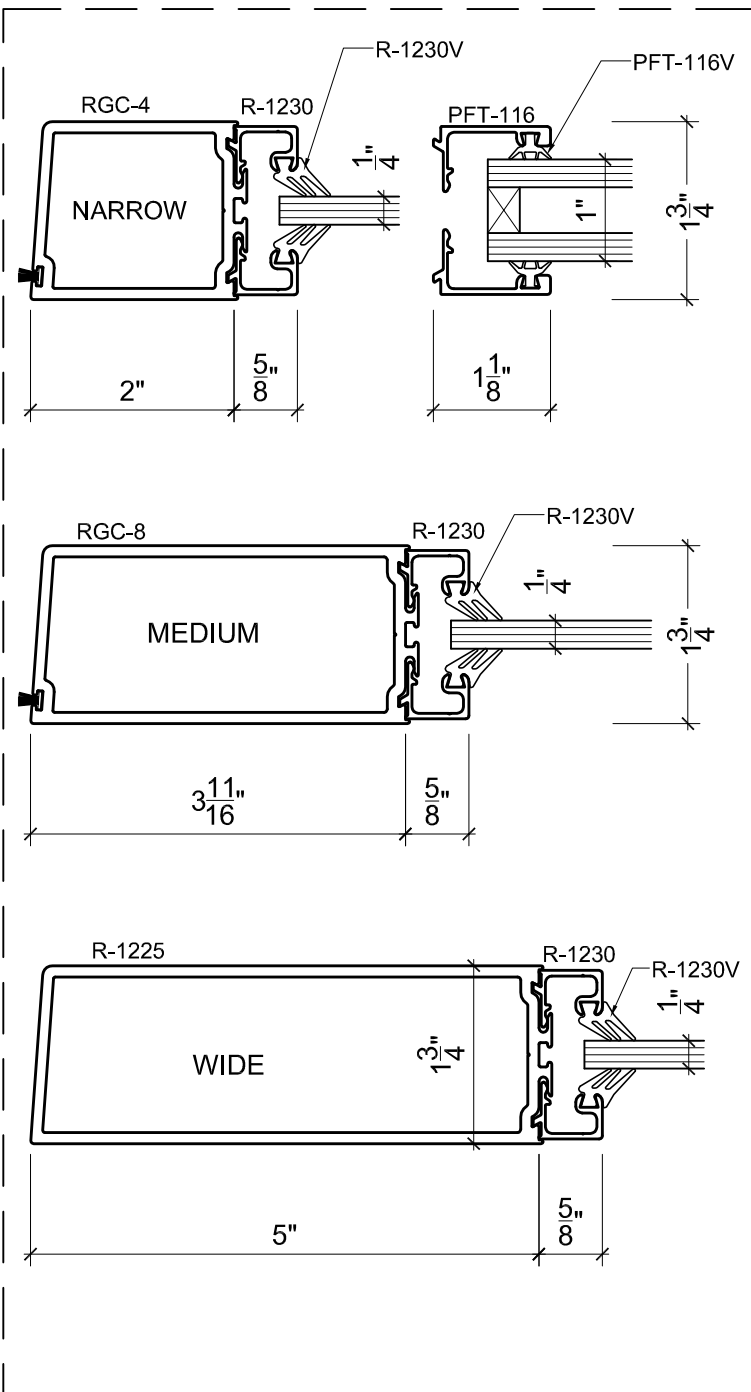
RELIABLE ARCHITECTURAL METALS COMPANY

9751 ERWIN STREET
DETROIT, MI 48213
PH: 800.445.0263 FAX: 313.924.8877

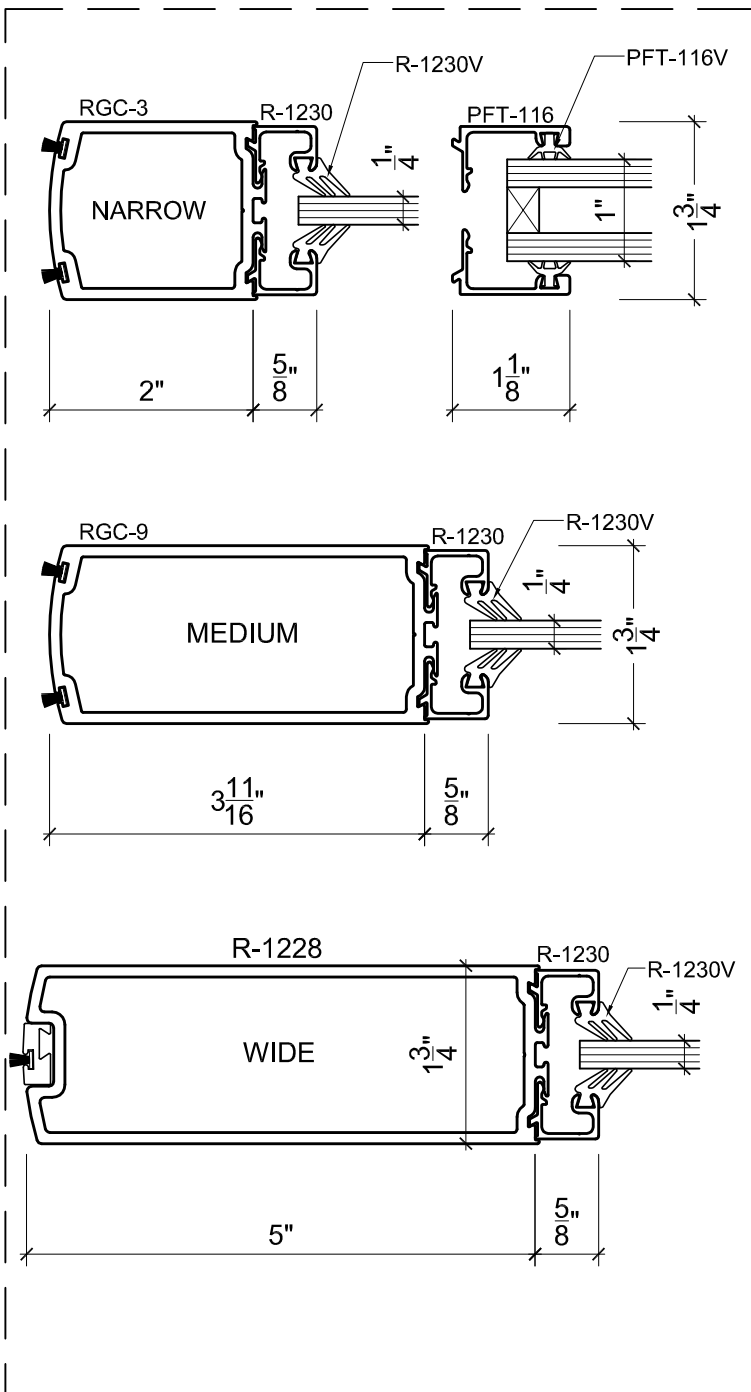
STILES

1/2 SCALE

SINGLE SWING DOOR STILE



DOUBLE SWING DOOR STILE



SECTION 1

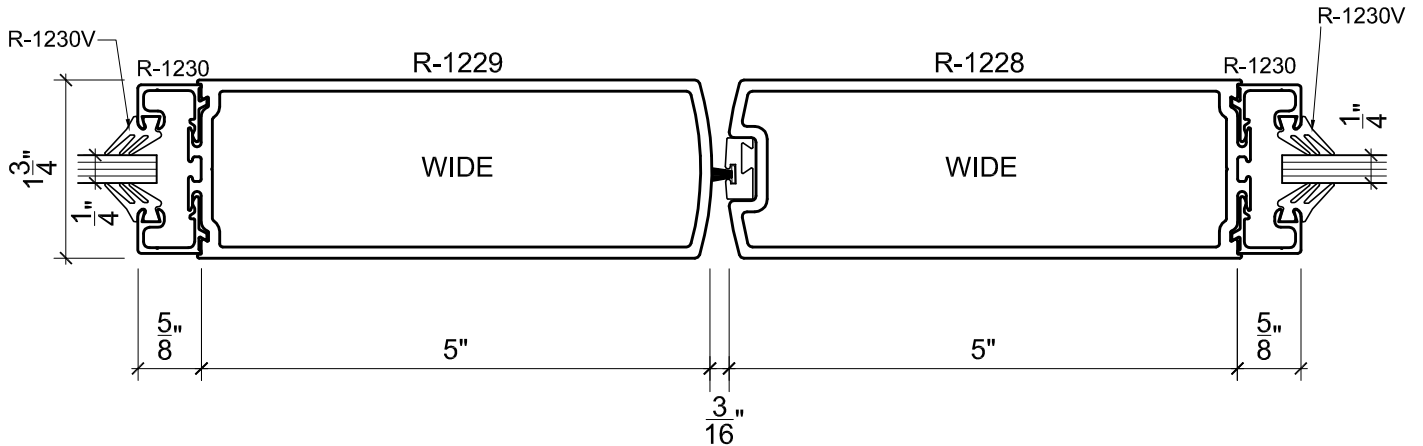
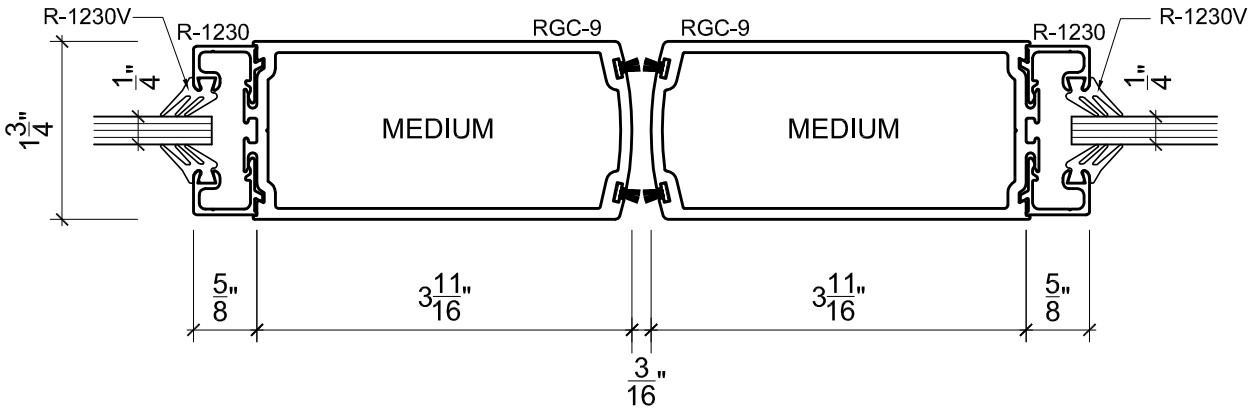
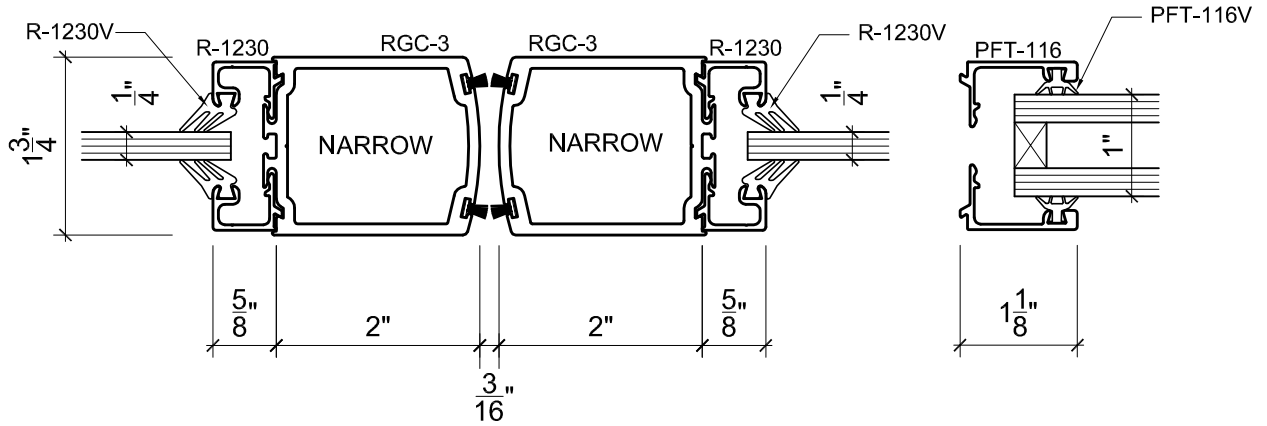


RELIABLE ARCHITECTURAL METALS COMPANY

9751 ERWIN STREET
DETROIT, MI 48213
PH: 800.445.0263 FAX: 313.924.8877

MEETING RAILS

1/2 SCALE



SECTION 2

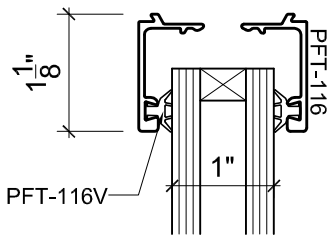
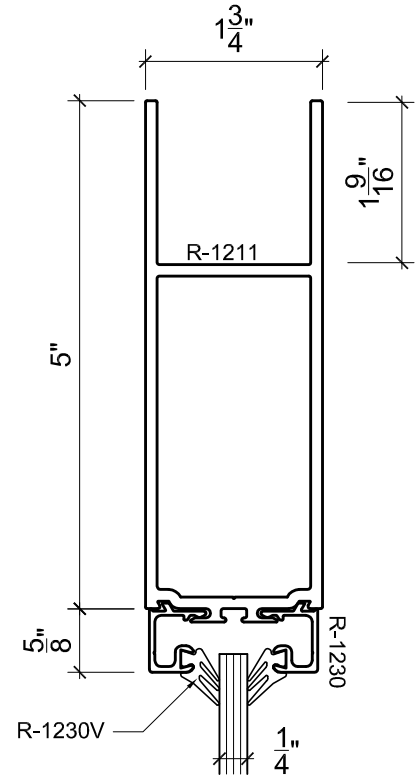
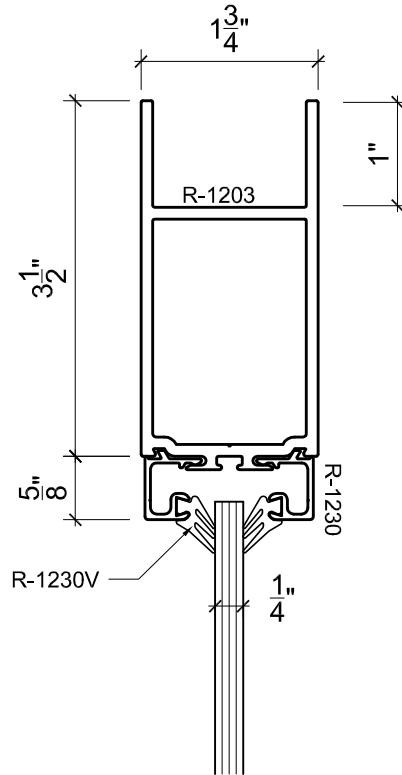
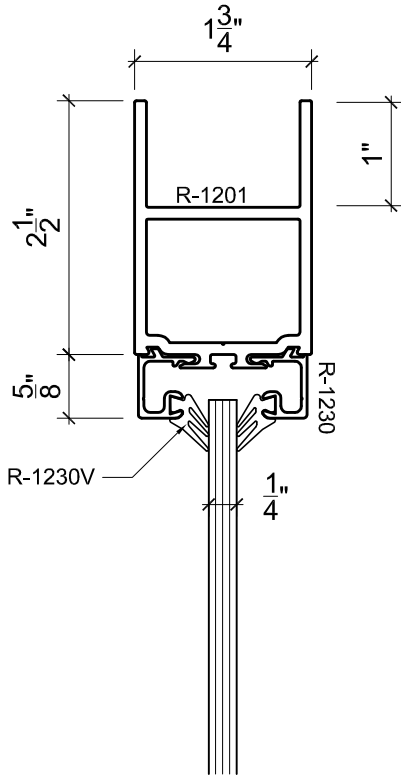


RELIABLE ARCHITECTURAL METALS COMPANY

9751 ERWIN STREET
DETROIT, MI 48213
PH: 800.445.0263 FAX: 313.924.8877

TOP RAILS

1/2 SCALE



SECTION 3

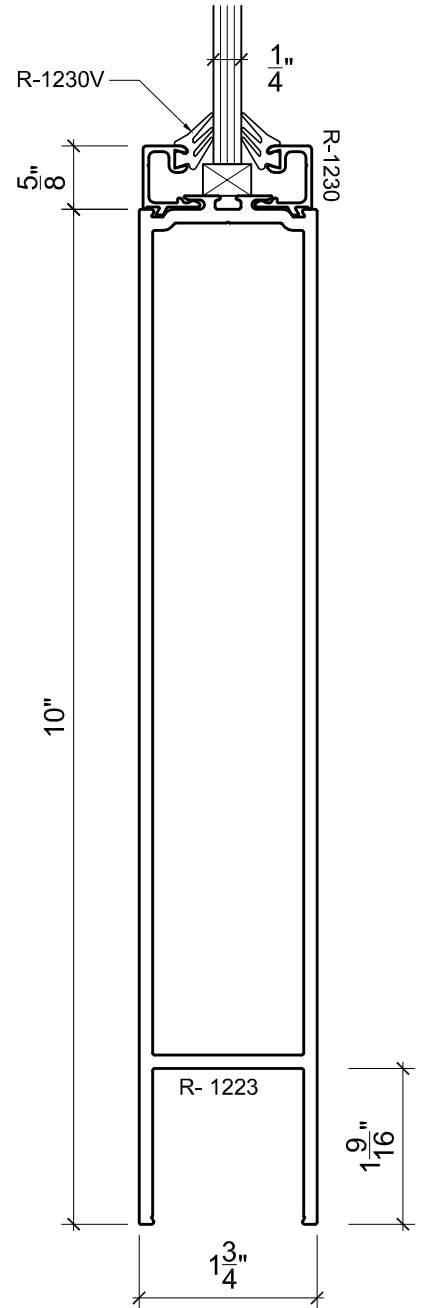
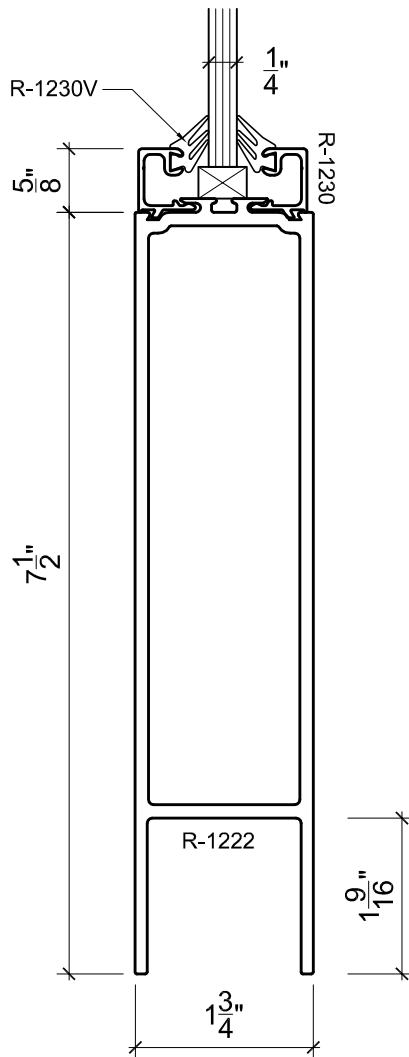
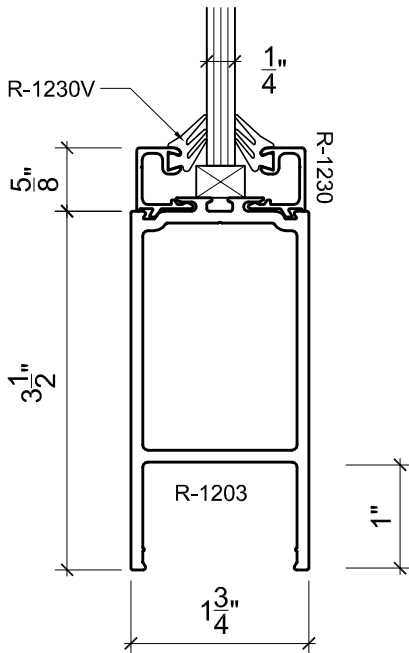
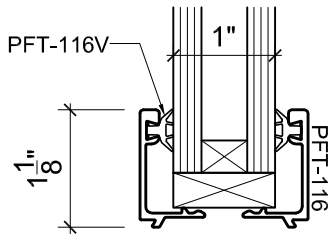


RELIABLE ARCHITECTURAL METALS COMPANY

9751 ERWIN STREET
DETROIT, MI 48213
PH: 800.445.0263 FAX: 313.924.8877

BOTTOM RAILS

1/2 SCALE



SECTION 4



ENTRANCE MODIFICATIONS

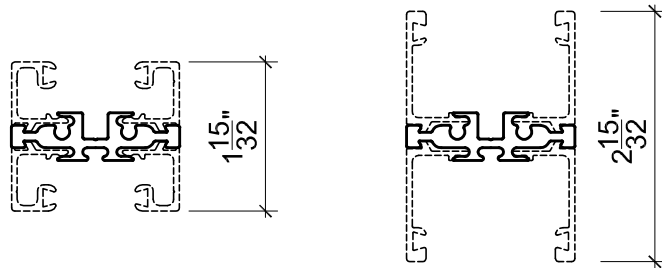
1/2 SCALE

RELIABLE ARCHITECTURAL METALS COMPANY

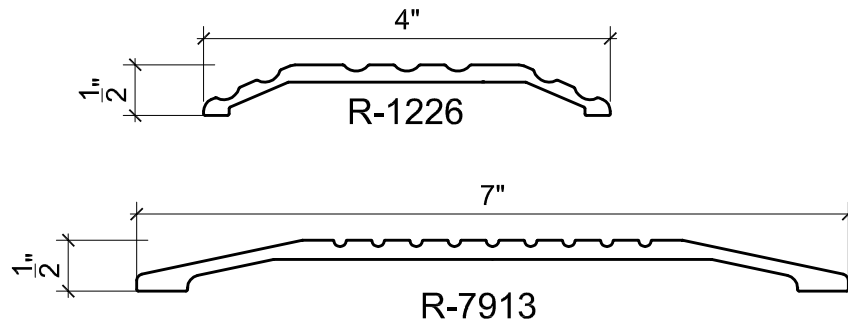
9751 ERWIN STREET
 DETROIT, MI 48213
 PH: 800.445.0263 FAX: 313.924.8877

CROSS RAIL: ANY TOP OR BOTTOM RAIL CAN BE USED DEPENDING ON THE HARDWARE

TRUE MUNTIN: R-26085



THRESHOLDS:



GLAZING STOPS OPTIONS: 1/4" R-1230
 1" PFT116

STANDARD HARDWARE: BUTT HINGE, OFFSET PIVOT